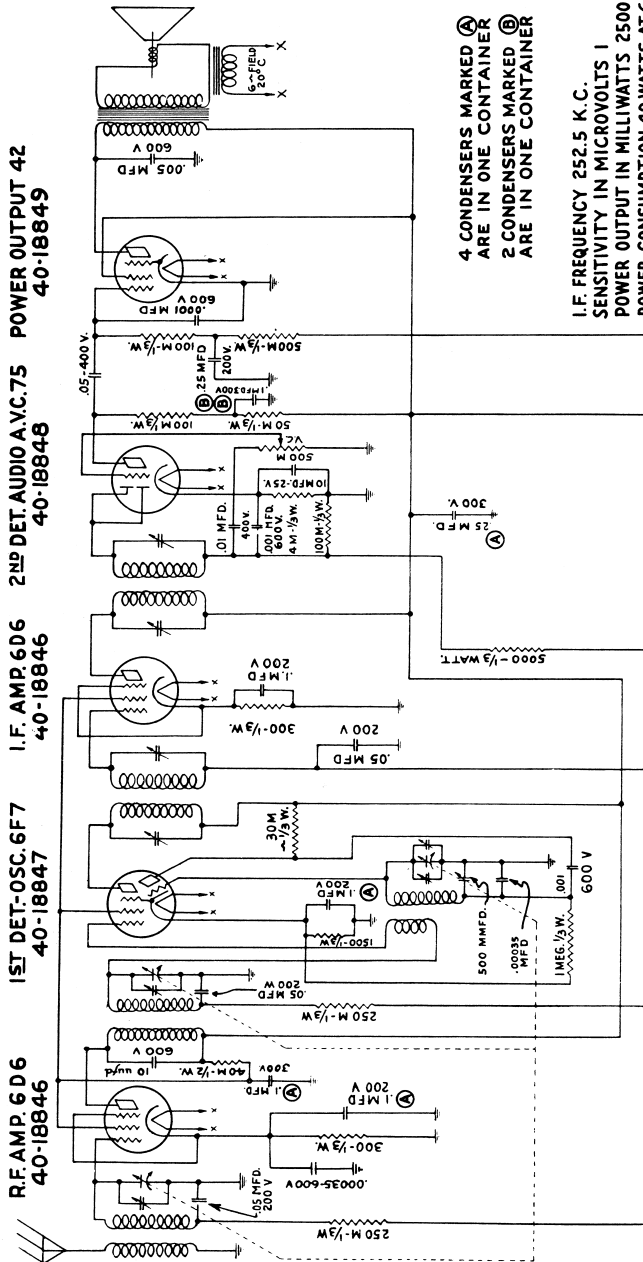


MODEL Ford-Lincoln
Auto Radio Built by
Zenith
Schematic

FORD MOTOR CAR CO.

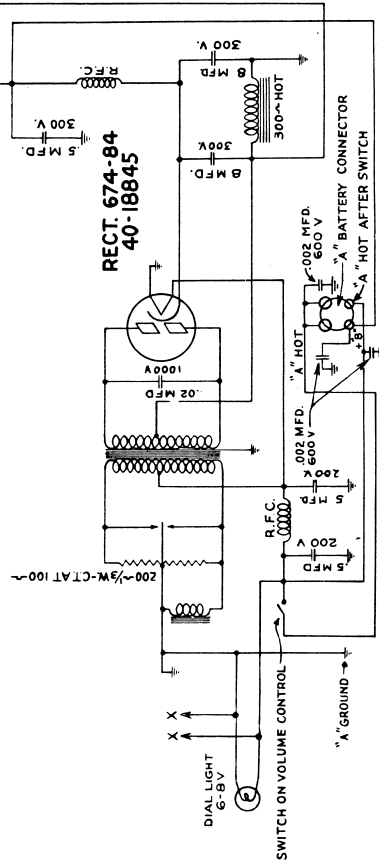
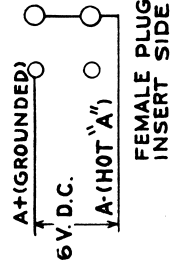


4 CONDENSERS MARKED (A) ARE IN ONE CONTAINER
 2 CONDENSERS MARKED (B) ARE IN ONE CONTAINER

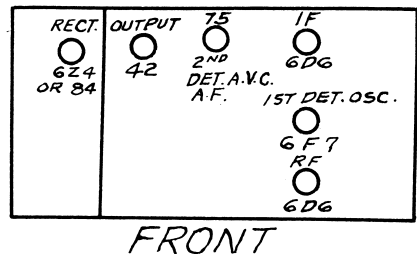
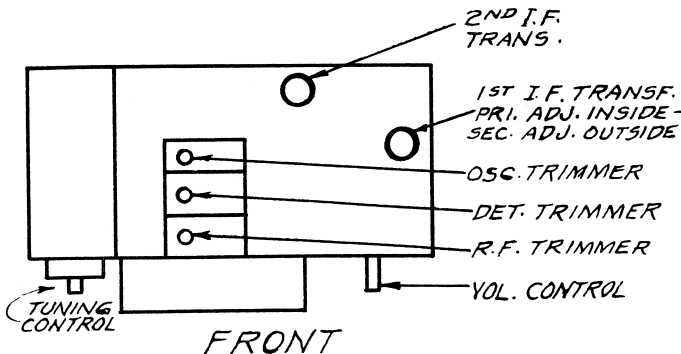
I.F. FREQUENCY 252.5 K.C.
 SENSITIVITY IN MICROVOLTS 1
 POWER OUTPUT IN MILLIWATTS 2500
 POWER CONSUMPTION 40 WATTS AT 6 VOLTS.

TUBE OPERATING VOLTAGES

TUBE	FILAMENT	PLATE
6D6	5.6	174
6F7	5.6	DET. 174 - OSC. 130
75	5.6	156
4Z	5.6	165
6Z4	5.6	5.6



FORD GLOVE BOX TYPE AUTO RADIO RECEIVER (BUILT BY ZENITH RADIO CORP.)



FRONT